

- 1
- 2
- 3
- 4
- 5
- 6
- 7
- 8
- 9
- 10
- 11
- 12
- 13
- 14
- 15
- 16
- 17
- 18
- 19

**SPECIFICATION**

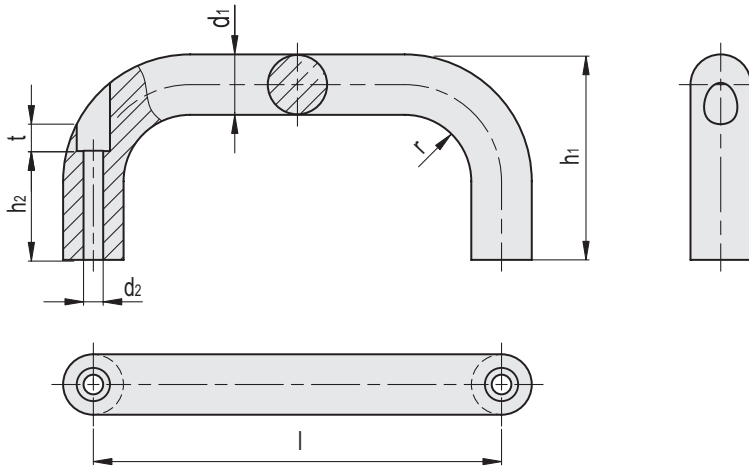
Aluminum **AL**

- Epoxy resin coating

Black, RAL 9005, textured finish **SW**

Silver, RAL 9006, textured finish **SR**

- Natural finish **BL**



**Conversion Table**  
1 mm = 0.039 inch

d1	
mm	inch
20	0.78
28	1.09

METRIC

Code	Description	d1	l	d2	h1	h2	r	t	⚖️
GN.75503	GN 426.2-AL-20-200-SW	20	200	6.5	68	36	22	9	230
GN.75502	GN 426.2-AL-20-200-SR	20	200	6.5	68	36	22	9	230
GN.75501	GN 426.2-AL-20-200-BL	20	200	6.5	68	36	22	9	230
GN.75513	GN 426.2-AL-20-250-SW	20	250	6.5	68	36	22	9	272
GN.75512	GN 426.2-AL-20-250-SR	20	250	6.5	68	36	22	9	272
GN.75511	GN 426.2-AL-20-250-BL	20	250	6.5	68	36	22	9	272
GN.75523	GN 426.2-AL-20-300-SW	20	300	6.5	68	36	22	9	315
GN.75522	GN 426.2-AL-20-300-SR	20	300	6.5	68	36	22	9	315
GN.75521	GN 426.2-AL-20-300-BL	20	300	6.5	68	36	22	9	315
GN.75533	GN 426.2-AL-20-350-SW	20	350	6.5	68	36	22	9	357
GN.75532	GN 426.2-AL-20-350-SR	20	350	6.5	68	36	22	9	357
GN.75531	GN 426.2-AL-20-350-BL	20	350	6.5	68	36	22	9	357
GN.75543	GN 426.2-AL-28-250-SW	28	250	9	78	34	32	11	531
GN.75542	GN 426.2-AL-28-250-SR	28	250	9	78	34	32	11	531
GN.75541	GN 426.2-AL-28-250-BL	28	250	9	78	34	32	11	531
GN.75553	GN 426.2-AL-28-300-SW	28	300	9	78	34	32	11	614
GN.75552	GN 426.2-AL-28-300-SR	28	300	9	78	34	32	11	614
GN.75551	GN 426.2-AL-28-300-BL	28	300	9	78	34	32	11	614
GN.75563	GN 426.2-AL-28-350-SW	28	350	9	78	34	32	11	697
GN.75562	GN 426.2-AL-28-350-SR	28	350	9	78	34	32	11	697
GN.75561	GN 426.2-AL-28-350-BL	28	350	9	78	34	32	11	697
GN.75573	GN 426.2-AL-28-400-SW	28	400	9	78	34	32	11	780
GN.75572	GN 426.2-AL-28-400-SR	28	400	9	78	34	32	11	780
GN.75571	GN 426.2-AL-28-400-BL	28	400	9	78	34	32	11	780

Handles

1